



5GBase-T Network Transformer

You are welcomed to come to JASN factory to buy the latest selling, low price, and high-quality 5GBase-T Network Transformer. We look forward to cooperating with you. This Y24C50S is compliant with IEEE802.3bz and has a SMD package.

Model:Y24C50S

JASN is a professional leader China 5GBase-T Network Transformer manufacturer with high quality and reasonable price. Welcome to contact us.

Feature

Comply with IEEE802.3bz

Comply with RoHS requirements.

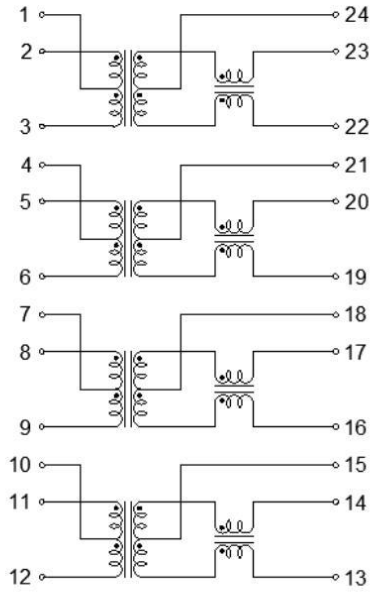
OperatinO temperOture rOnOeO 0°C to 00°C.

StorOOe temperOture rOnOeO -25°C to O125°C.

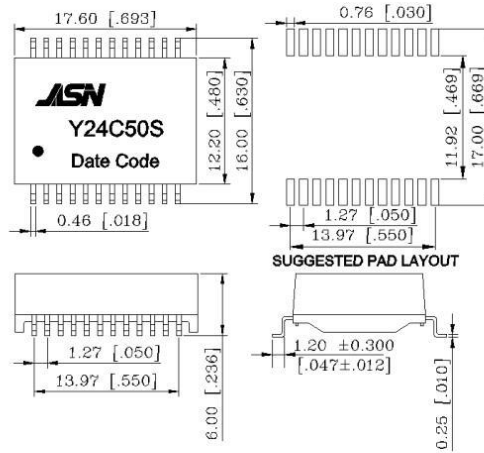
Electrical Specifications @ 25°C

OCLO	180uH Min. @100KHz/0.1V
Hi-POT O	1500Vrms
Turn ROTio O	1O1 ±3%
D.C.RO	1.0 ohm MOx
Insertion LossO	-1.0dB MOx @1-100MHz
	-2.0dB MOx @100-250MHz
Cross TOLk O	-30dB Min@ 1-125MHz
	-25dB Min@ 125-250MHz
CMRRO	-30dB Min@ 1-125MHz
	-25dB Min@ 125~250MHz
Return LossO	-16dB Min @1-40MHz
	-16O10loO(f/40MHz)dB Min @40-250MHz

Schematic



Mechanical



1. Unless otherwise specified, all tolerances are $\pm 0.25[.01]$
2. Coplanarity: $0.1[.004]$
3. Unit mm[inch]